



# ASSEMBLY INSTRUCTIONS LOD 45/48

## IN THE BOX

### COMPONENTS

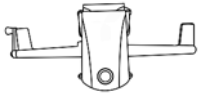


Base



Cylinder

Casters (5)



Control

Arms (2)

Back

Seat

### HARDWARE



Short Screw (Qty 6)



Medium Screw (Qty 6)



Long Screw (Qty 2)



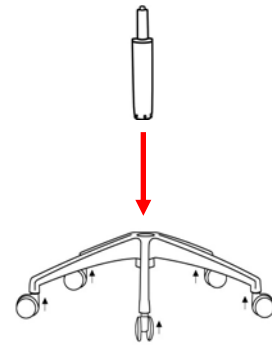
Washer (Qty 8)



Arm Caps (Qty 2)

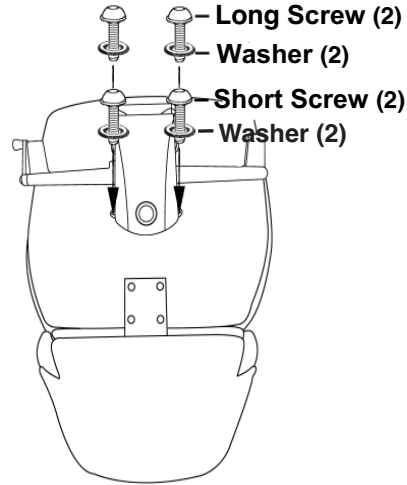


Allen Wrench (Qty 1)



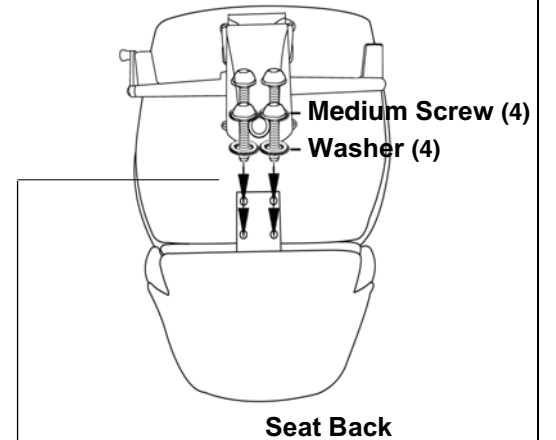
Step 1

### Attaching the Control



Step 2

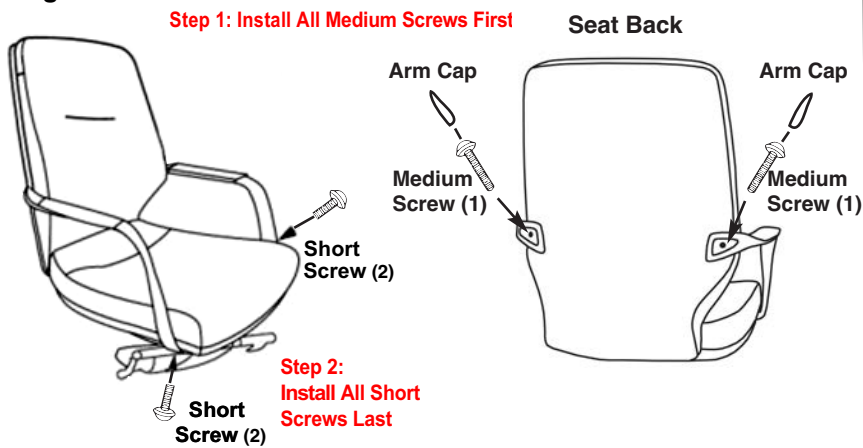
### Attaching the Back



Step 3

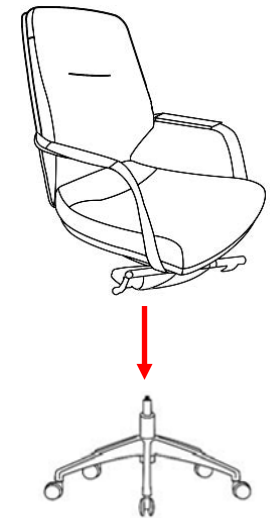
**Insert Screws LOOSELY! Do NOT tighten until final assembly step.**

### Attaching the Arms



Step 4

**Tighten screws from step 3 AFTER arms are attached.**



Step 5