

LEATHER ON DEMAND | 45/48

HOW TO OPERATE

Tilt Tension

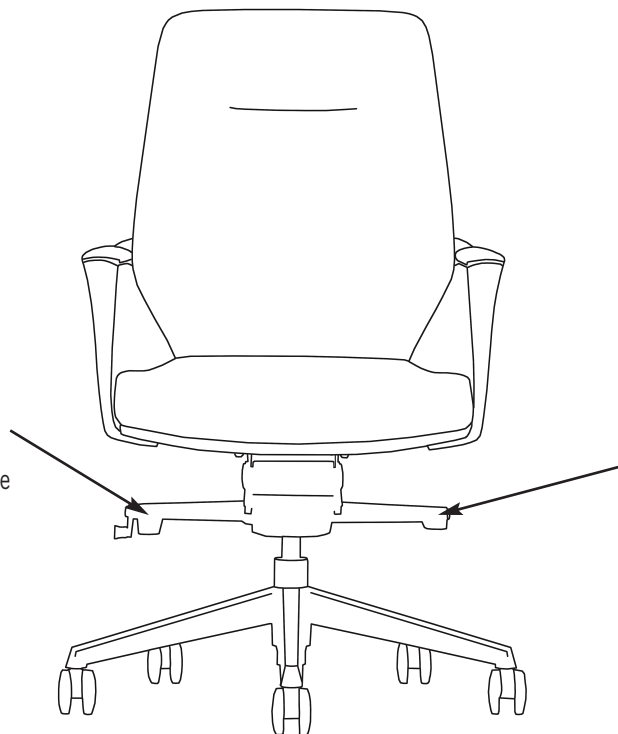
This function is designed to increase or decrease the resistance of the chair's backward tilt. The tilt tensioner is underneath the chair on the right side. To tighten tension, first pull the knob outward then turn it clockwise. To loosen tension, pull the knob outward then turn it counterclockwise. When tension is set push the knob inward.

**It may take a number of turns for desired tension.*



Seat Height Adjustment

LOD's pneumatic seat-height mechanism accommodates a wide range of users, adjusting from 17½" to 19¾". To raise the seat, lift your weight off the seat and pull up on the lever underneath the right side of the chair; release the lever when the seat reaches desired height. To lower the seat, lift the lever up while seated; release lever when the seat reaches desired height.



4-Position Tilt Lock

To adjust the tilt, turn the lever underneath the left side of the chair downward. Lean back into the chair and then move the back of the chair to your desired position and simultaneously turn the lever upward to lock into desired position. The back can be locked into four positions or left unlocked so you can "free float" or rock.

FEATURES:

- Knee tilt with multi-position lock
- Free-floats in unlocked position
- Tilt tension adjustment
- Aluminum arms and base
- 300 lb. capacity

DIMENSIONS:

- Seat width: 19¾"
- Seat depth: 20"
- Back height: mid 23½" high 28½"
- Back width: 19½"
- Chair weight: mid 44 lbs. high 49 lbs.

