

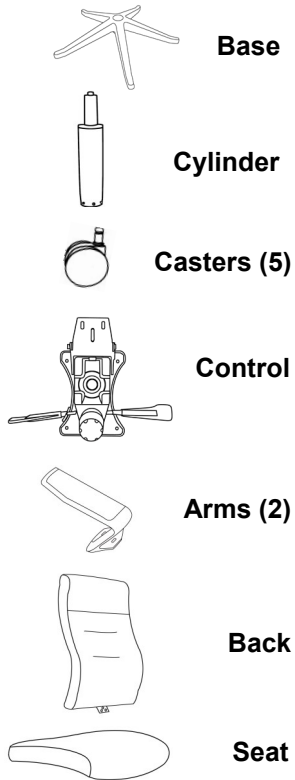


# ASSEMBLY INSTRUCTIONS

# LOD 75/78

## IN THE BOX

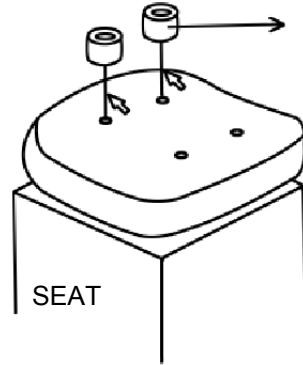
### COMPONENTS



### HARDWARE

1. Short Screw (Qty 2)
2. Long Screw (Qty 8)
3. Thick Screw (Qty 3)
4. Small Washer (Qty 6)
5. Small Hole Washer (Qty 4)
6. Large Hole Washer (Qty 3)
7. Plastic Spacer (Qty 2)
8. Small Allen Wrench (Qty 1)
9. Large Allen Wrench (Qty 1)

### Placement of the Plastic Spacers



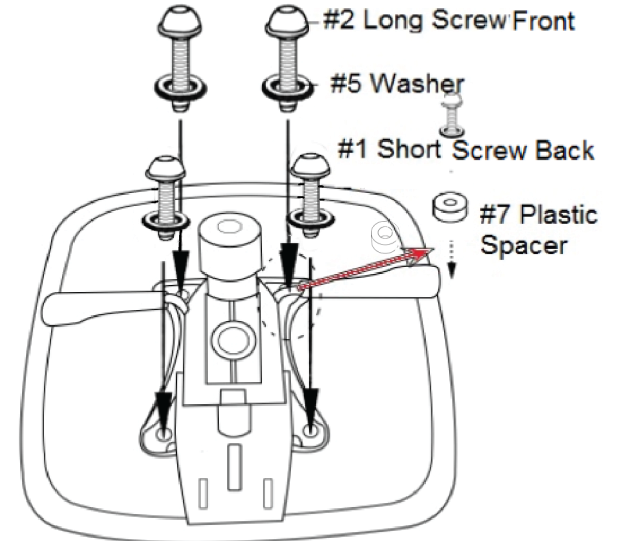
SEAT

Step 1

**IMPORTANT**  
**INSERT PLASTIC SPACERS IN FRONT OF SEAT!**

**DO NOT INSERT IN REAR OF SEAT!**

### Attaching the Control



Back of Chair

Step 2

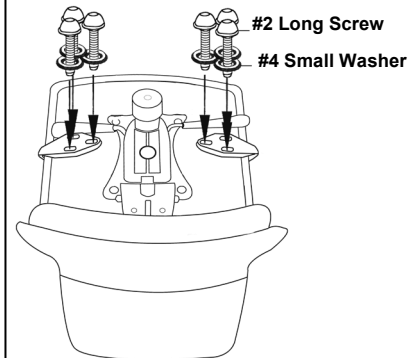
### Attaching the Back



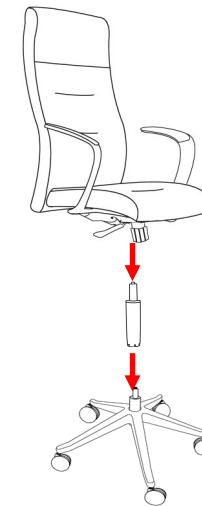
Seat Back

Step 3

### Attaching the Arms



Step 4



Step 5



Step 6