

LEATHER ON DEMAND | 95/98

HOW TO OPERATE

Tilt Tension

This function is designed to increase or decrease the resistance of the chair's backward tilt. The tilt tensioner is underneath the chair on the right side. To tighten tension, first pull the knob outward then turn it clockwise. To loosen tension, pull the knob outward then turn it counterclockwise. Knob retracts automatically.

**It may take a number of turns for desired tension.*

Seat Height Adjustment

LOD's pneumatic seat-height mechanism accommodates a wide range of users, adjusting from 17 to 20½ inches. To raise the seat, lift your weight off the seat and pull up on the lever underneath the right side of the chair; release the lever when the seat reaches desired height. To lower the seat, lift the lever up while seated; release lever when the seat reaches desired height.

Seat Depth Adjustment*

This feature is designed to accommodate users of different leg lengths. To adjust seat depth, while seated in chair lift the inside tab upward and simultaneously slide body weight forward or rearward. Seat pan will move with you. When desired depth is achieved, release tab to lock position.

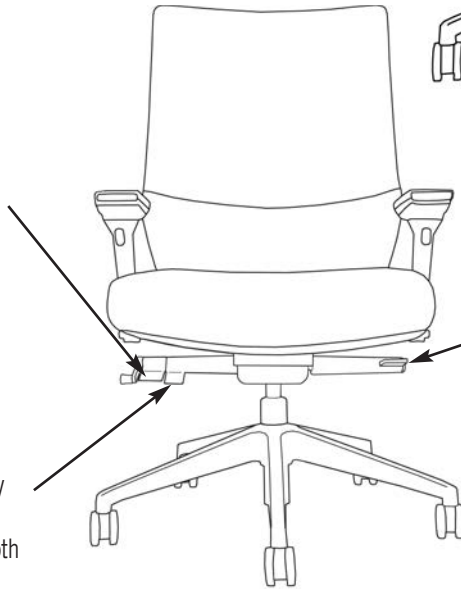
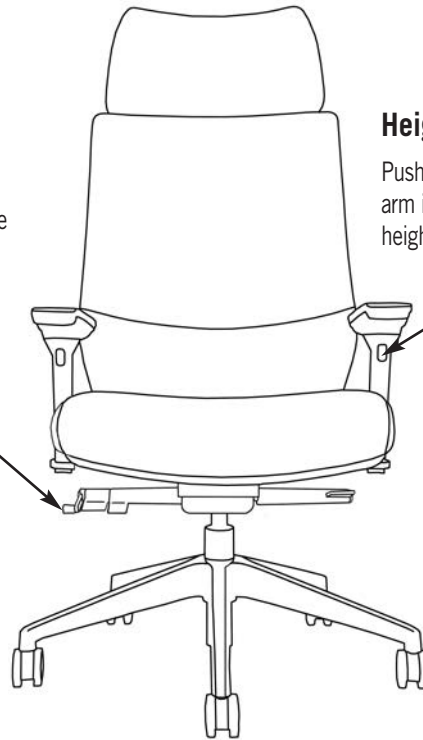


Adjustable Arm Pad

Rotate arm pad left or right to adjust.

Height Adjustable Arms

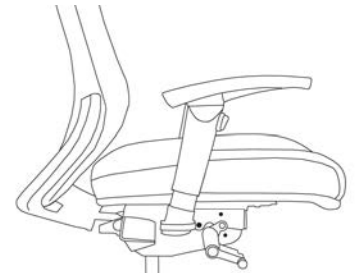
Push button in until desired height of arm is reached. Release button when height is adjusted.



4-Position Tilt Lock

To adjust the tilt, turn the lever underneath the left side of the chair downward. Lean back into the chair and then move the back of the chair to your desired position and simultaneously turn the lever upward to lock into desired position. The back can be locked into three positions or left unlocked so you can "free float" or rock.

*Seat Depth Adjustment



FEATURES:

- Synchro-tilt with 4-position lock
- Free-floats in unlocked position
- Tilt tension adjustment
- Seat sliding adjustment
- Multi-function arms
- 300 lb. capacity

DIMENSIONS:

- Seat width: 20"
- Seat depth: 20"
- Back height: mid 22" high 29"
- Back width: 19"
- Chair weight: mid 40 lbs. high 44 lbs.

