



ASSEMBLY INSTRUCTIONS

NIFTY-STOOL

Remove all parts from carton, separate by part numbers indicated on parts list, and verify part quantities.

STEP1 Insert five Casters (2) into Base (1), push hard until you feel or hear the Caster snap into place.

STEP2 Slide Pneumatic Cylinder (3) through Footring (11) and into Base (1).

STEP3 Attach Arms (7L & 7R) to Seat Cushion (5) using four Arm Screws (8) for each arm. FULLY TIGHTEN SCREWS USING **5MM ALLEN WRENCH** (12).

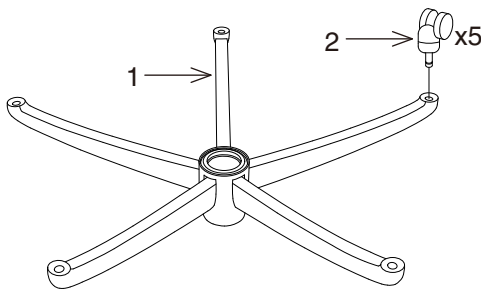
STEP4 Attach Back Support (6) to the rear of Seat Plate (4), secure Back Support (6) using three Back Screws (10) and three Flat Washers (9). FULLY TIGHTEN SCREWS USING **6MM ALLEN WRENCH** (13).

STEP5 Place the assembled seat on top of Pneumatic Cylinder and apply downward pressure.

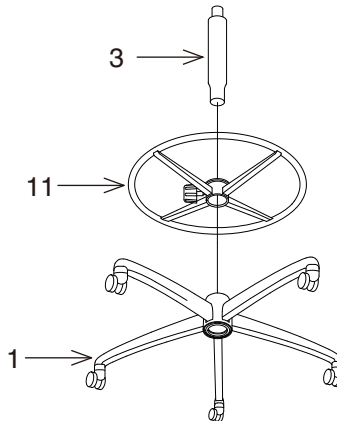
ATTENTION: MAKE SURE ALL SCREWS ARE FULLY TIGHTENED BEFORE USING CHAIR. LUBRICATE ALL MOVING PARTS AND TIGHTEN ALL SCREWS EVERY 3 MONTHS.

PARTS	QTY
1. Base.....	1
2. Casters.....	5
3. Pneumatic Cylinder.....	1
4. Seat Plate.....	1
5. Seat Cushion.....	1
6. Back Support.....	1
7. Arms (7L & 7R).....	2
8. Arm Screws (SHORT).....	8
9. Flat Washers.....	3
10. Back Screws (LONG).....	3
11. Footring.....	1
12. 5mm Allen Wrench.....	1
13. 6mm Allen Wrench.....	1

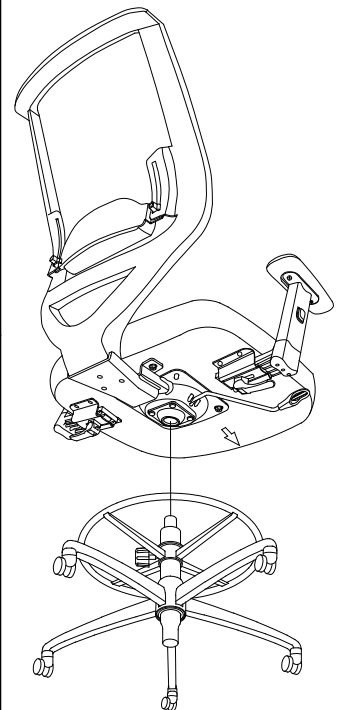
STEP 1



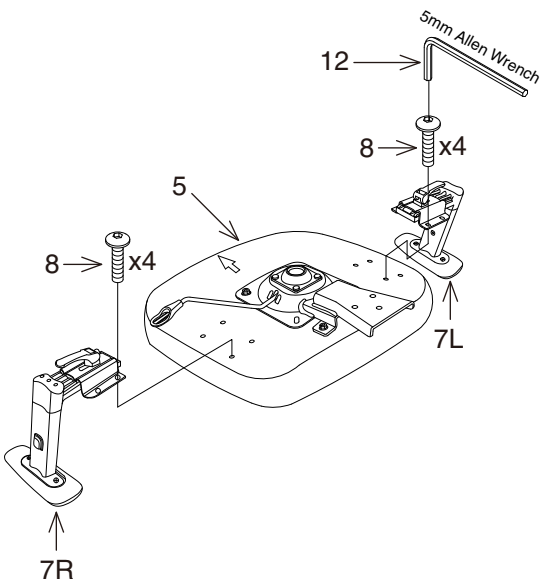
STEP 2



STEP 5



STEP 3



STEP 4

