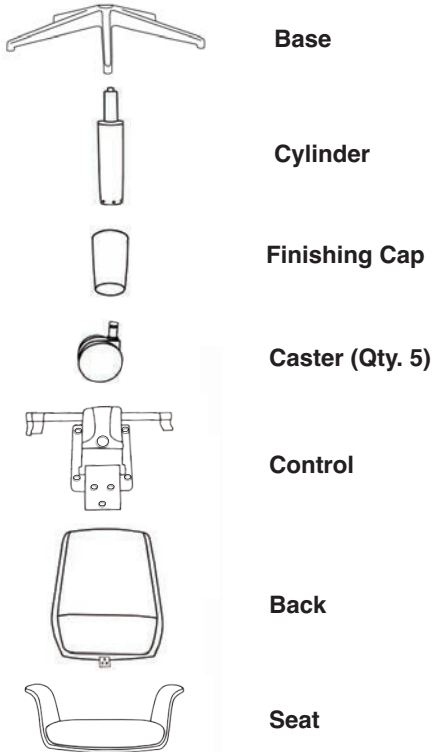


LOD 85/88 ASSEMBLY INSTRUCTIONS

877-263-5737
www.buzzseating.com

IN THE BOX COMPONENTS

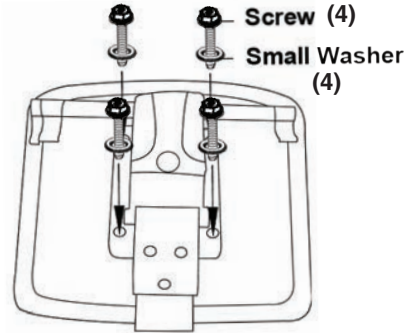


Plastic Bag of Optional Leveling Spacers
1/8" Plastic Spacer (Qty. 2)
1/4" Plastic Spacer (Qty. 2)
Long Screw (Qty. 2)

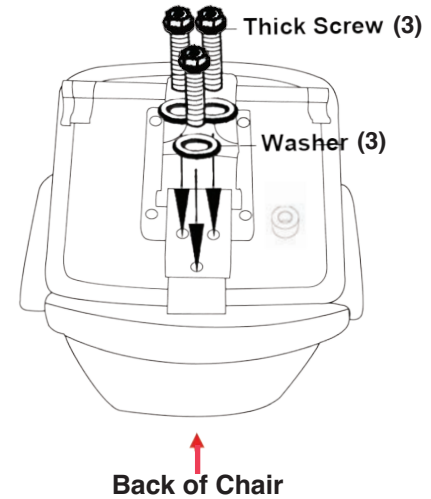


STEP 1

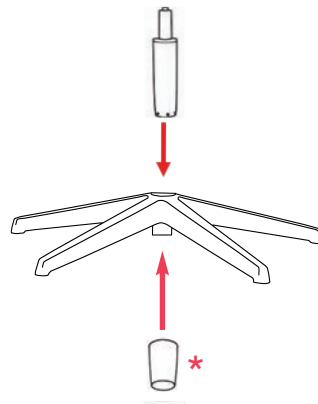
Attaching the Control



STEP 2



STEP 3



* Finishing Cap is placed on **BOTTOM** of cylinder underneath base. **DO NOT PUT ON TOP OF CYLINDER.**

STEP 4



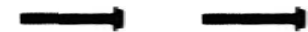
OPTIONAL LEVELING USING PLASTIC SPACERS

Two longer screws included in **Optional Leveling Plastic Spacers Bag**

Once assembled, leveling may be needed. If so, remove control and insert spacers as needed. Either 1/8" or 1/4" plastic spacers should be inserted either on the left side or the right side of the chair.

-  1/8" Plastic Spacer
-  1/4" Plastic Spacer

Plastic Spacers are optional!



Longer screws located in **Optional Spacers bag** must be used with these optional leveling spacers.